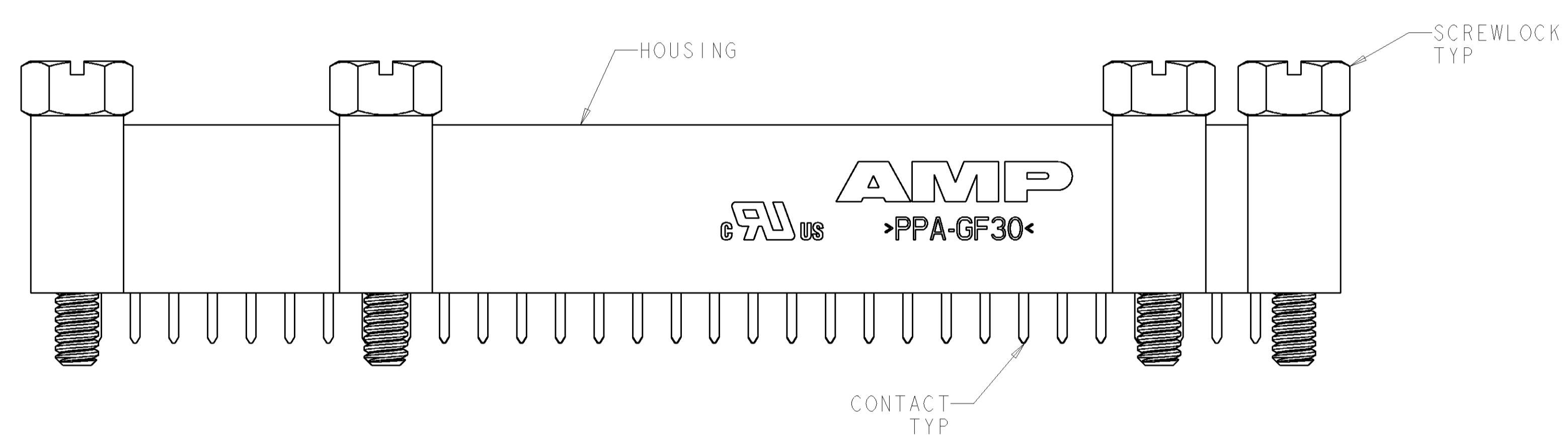
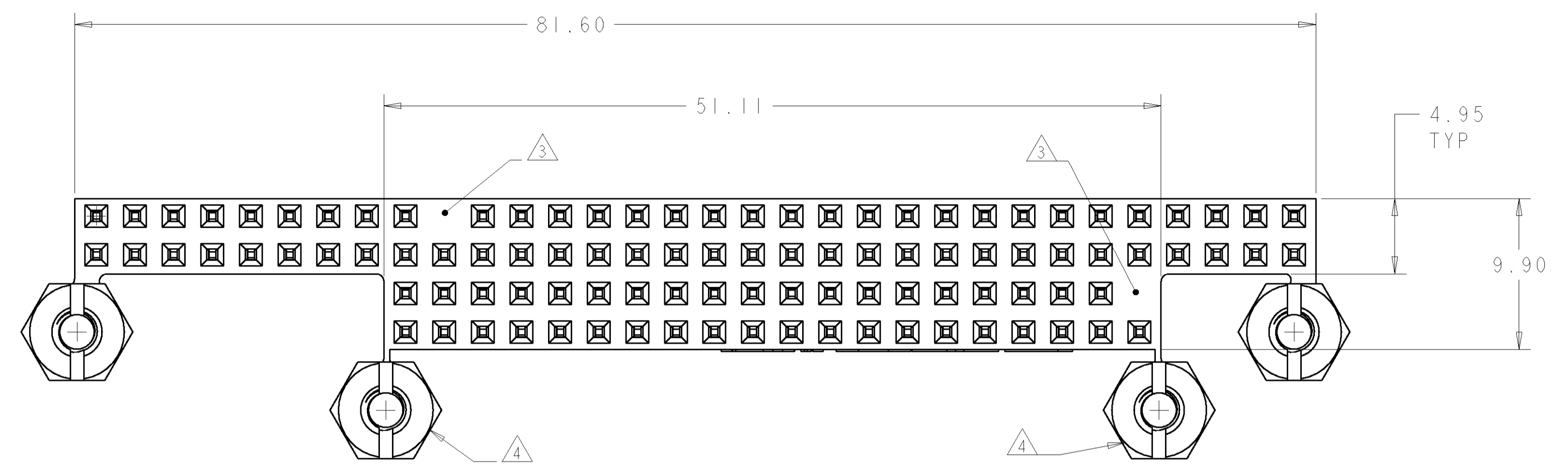
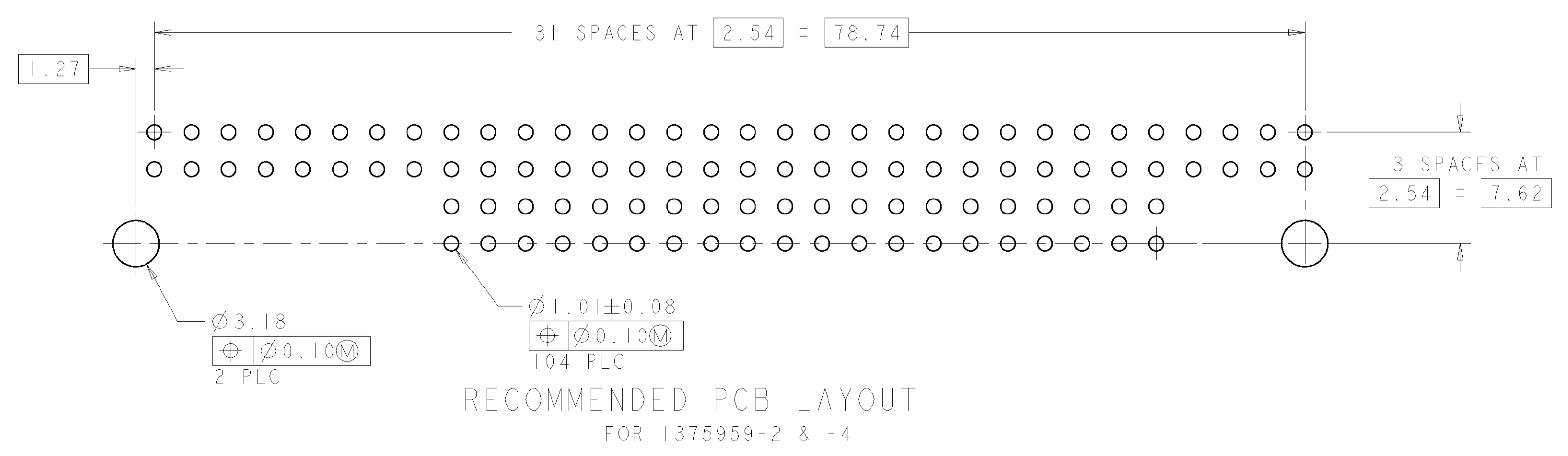
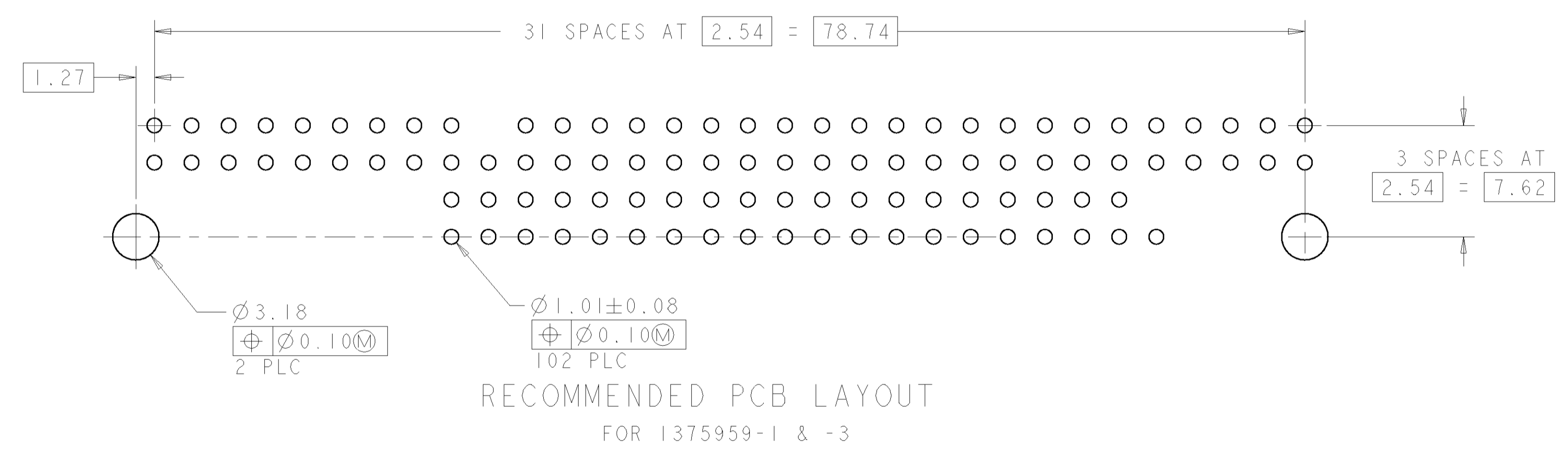
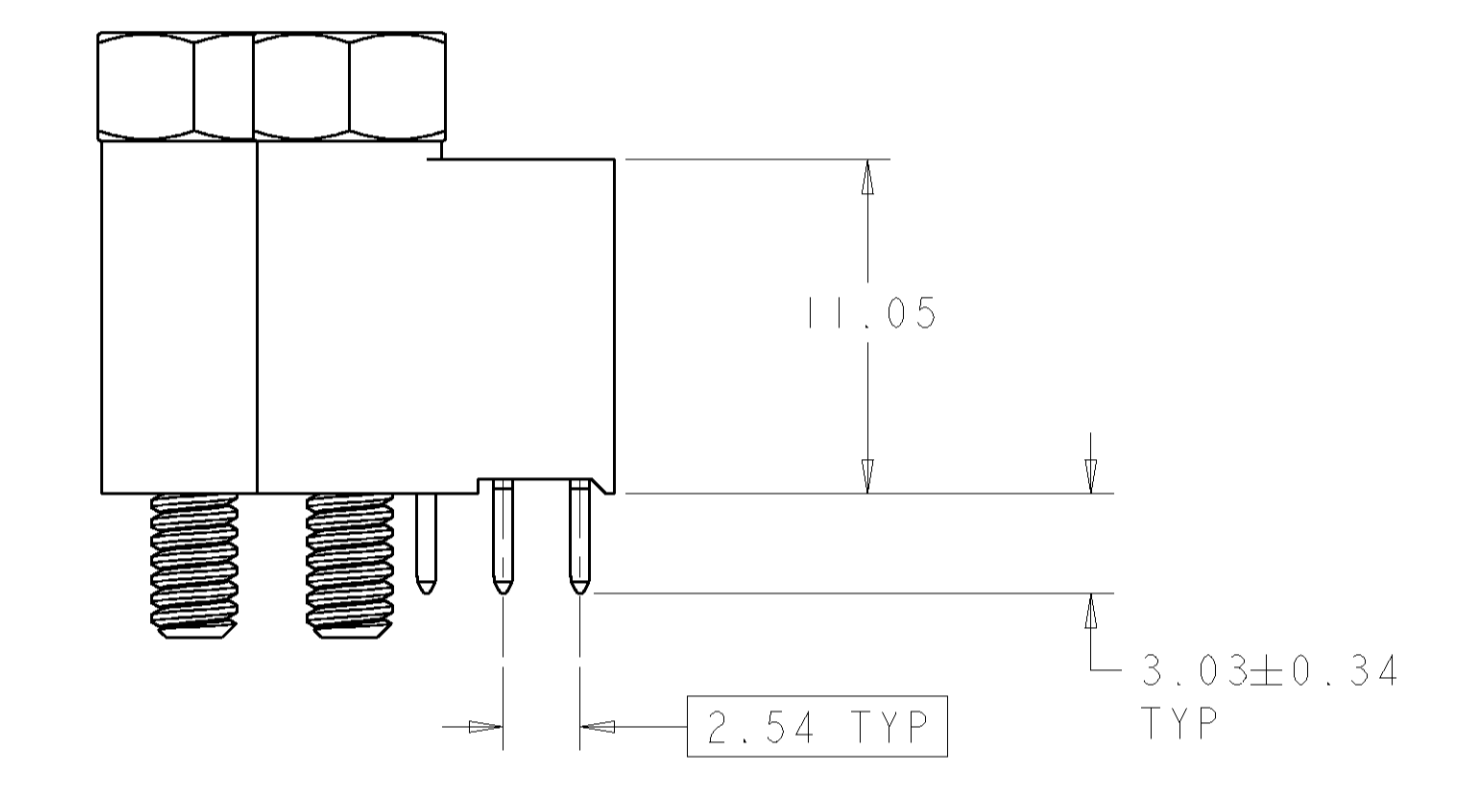


LOC	DIST	REVISIONS					
AD	00	P	LTR	DESCRIPTION	DATE	DWN	APVD
		0		REV PER 063C-0223-02	01MAY2001	RB	JO
		A		REV PER EC 063C-0313-04	26AUG2004	MB	JO
		B		063C-0184-05	31AUG2005	RB	JO



- △ HOUSING: HIGH TEMPERATURE, GLASS FILLED NYLON, COLOR: BLACK.
CONTACTS: PHOSPHOR BRONZE.
SCREWLOCKS: STEEL.
- △ CONTACTS: 0.000381 MIN GOLD ON MATING RECEPTACLE END, 0.00254 BRIGHT TIN-LEAD ON REMAINDER, ALL OVER 0.001270 NICKEL.
SCREWLOCKS: CLEAR CHROMATE OVER ZINC.
- △ NO CONTACT IN THIS POSITION, FOR PART NUMBER 1375959-1 & -3 ONLY.
- △ BREAK-AWAY SCREWLOCK/STANDOFF.
- △ CONTACTS: 0.000381 MIN GOLD ON MATING RECEPTACLE END, 0.00254-0.00508 MATTE TIN ON REMAINDER, ALL OVER 0.001270 NICKEL.
SCREWLOCKS: CLEAR CHROMATE OVER ZINC.
- △ ROHS 2002/95/EC COMPLIANT PART TO BE USED WITH ROHS 2002/95/EC COMPLIANT PCB'S.



FINISH	KEYED CIRCUITS	PART NO
△ 5	NO	1375959-4
△ 5	△ 3 YES	1375959-3
△ 2	NO	1375959-2
△ 2	△ 3 YES	1375959-1

DIMENSIONS: mm TOLERANCES UNLESS OTHERWISE SPECIFIED: 0 PLC ± 1 PLC ±0.01 2 PLC ±0.01 3 PLC ± 4 PLC ± ANGLES ± FINISH △ 5 △ 2		DWN: W.G. LENKER 02JUN2000 ENR: L. BREKOSKY 15JAN2001 NAME: ASSEMBLY, PC/104, NON-STACKTHROUGH CONTACTS, 4 STANDOFFS, SOLDER PRODUCT SPEC: 108-1956 APPLICATION SPEC: 114-13021 WEIGHT: - CUSTOMER DRAWING	Tyco Electronics Harrisburg, PA 17105-3608 AMP SIZE: A1 CAGE CODE: 00779 DRAWING NO: 1375959 SCALE: 4:1 SHEET: 1 OF 1 REV: B
---	--	--	--